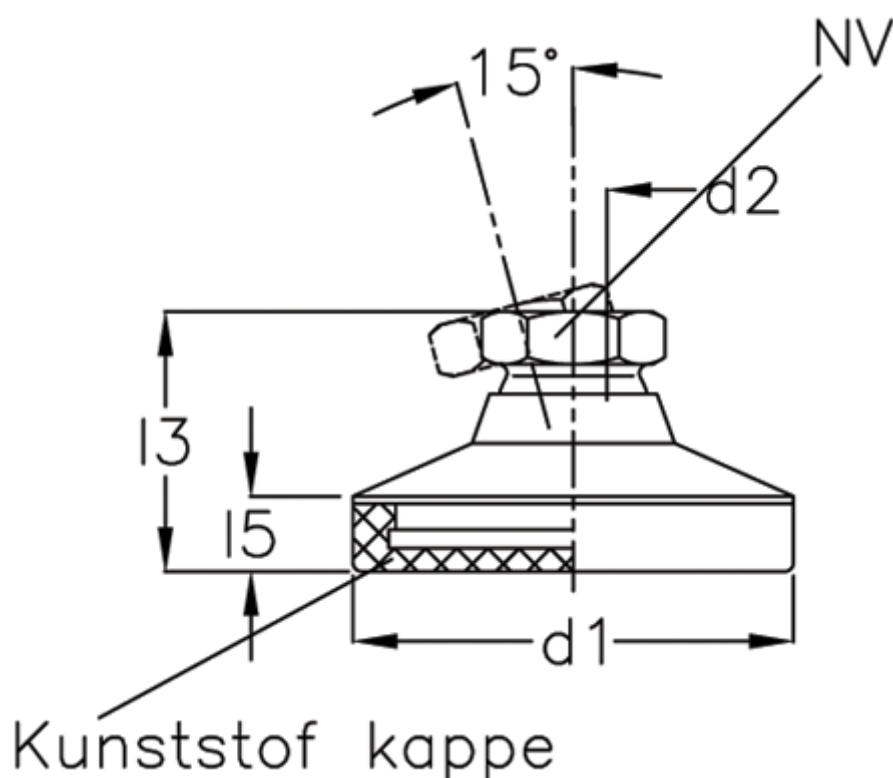


Article number: 20343560M12OS
Description: E+G levelling foot
GN 343.5-60-M12-OS

Measures



d1	= 60
d2	= 12
l3	= -
l5	= -
NV	= 17
Static load (N)	= 30
t min	= 11.5